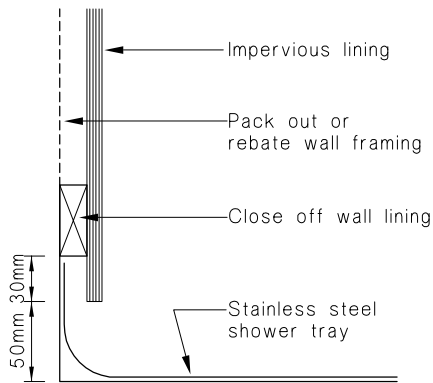
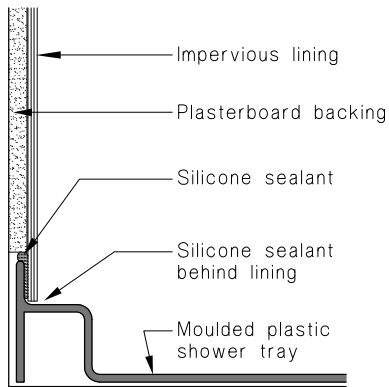


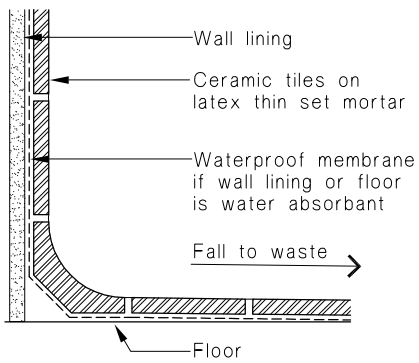
**Figure 4: Shower trays**  
Paragraph 3.3.1 and 3.3.4



**(a) Stainless steel shower tray**

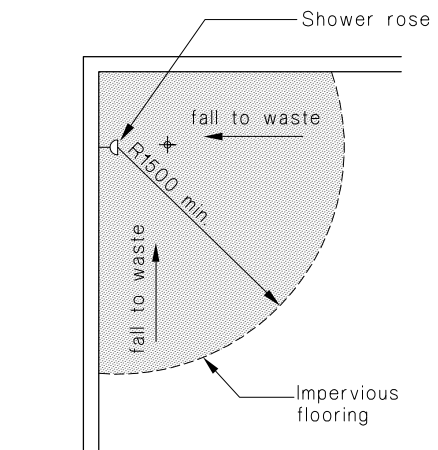


**(b) Moulded plastic shower tray**

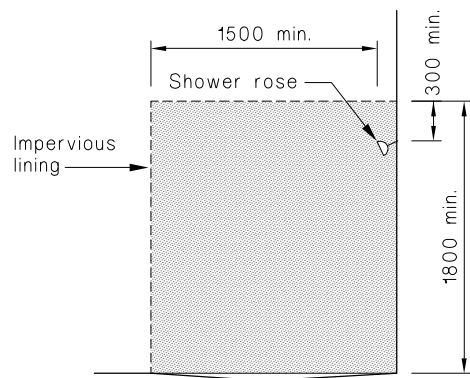


**(c) Tiled shower tray**

**Figure 5: Wall and floor coverings to unenclosed showers**  
Paragraph 3.3.1 and 3.3.5



**(a) Plan**



**(b) Section**